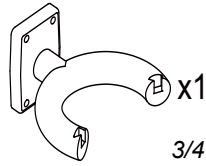


Installation Guide

Part List

Base:
1-9/16" wide x
2-5/32" high

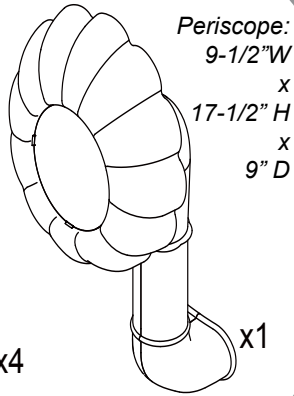


3/4" Pan Head
Screws x4

Base Clasp



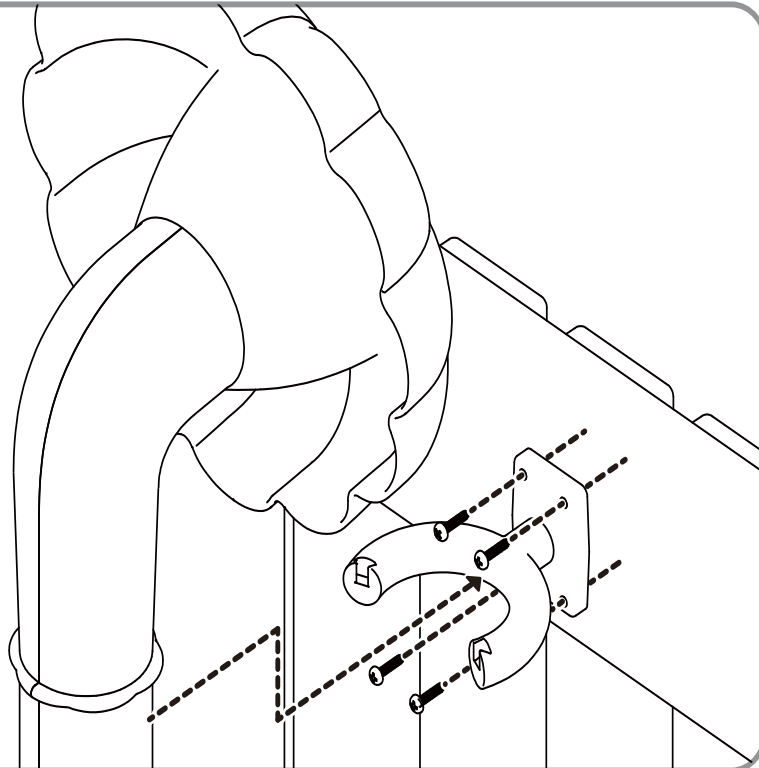
x1



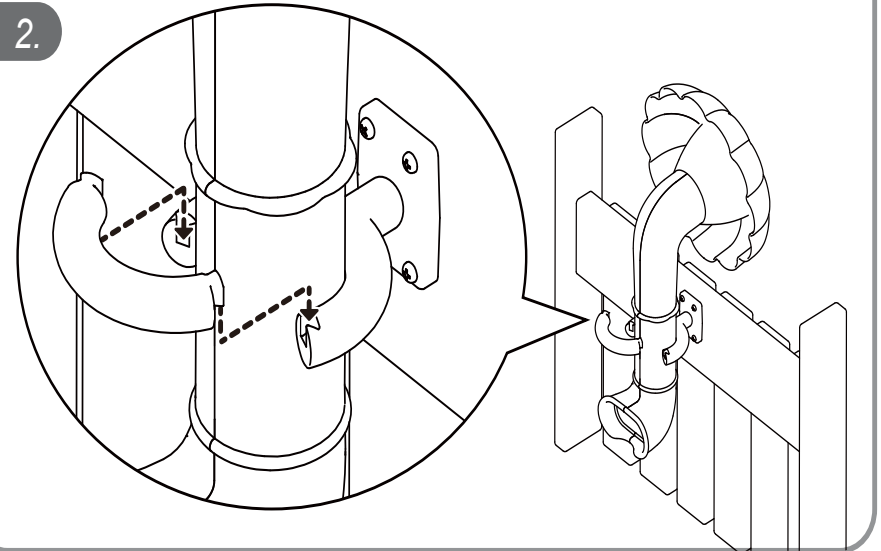
Periscope:
9-1/2" W
x
17-1/2" H
x
9" D

x1

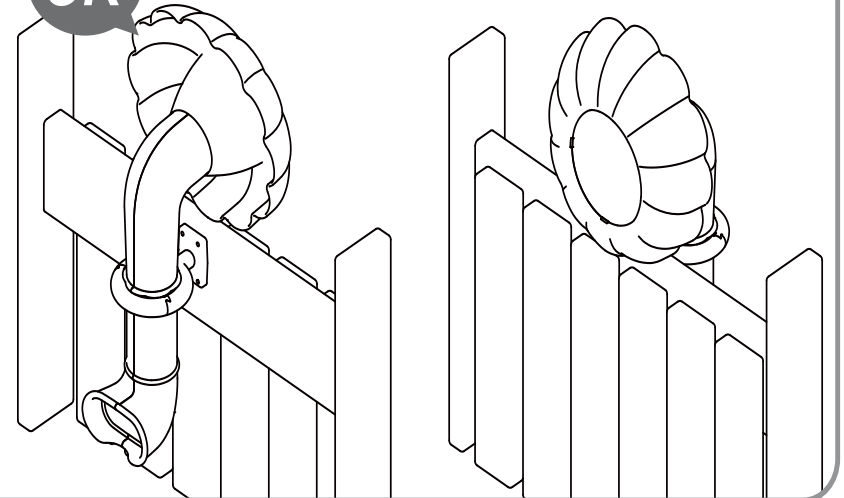
1.



2.



OK



Please note: Sunflower Periscope is intended for make-believe-play by children. Sunflower Periscope does not magnify objects. Sunflower Periscope does contain mirrors inside and does function like a real periscope.

!WARNING! **DO NOT LOOK INTO SUN OR OTHER BRIGHT LIGHTS WITH THE SUNFLOWER PERISCOPE**

FOR RESIDENTIAL USE ONLY

FOR CHILDREN AGES 3-11